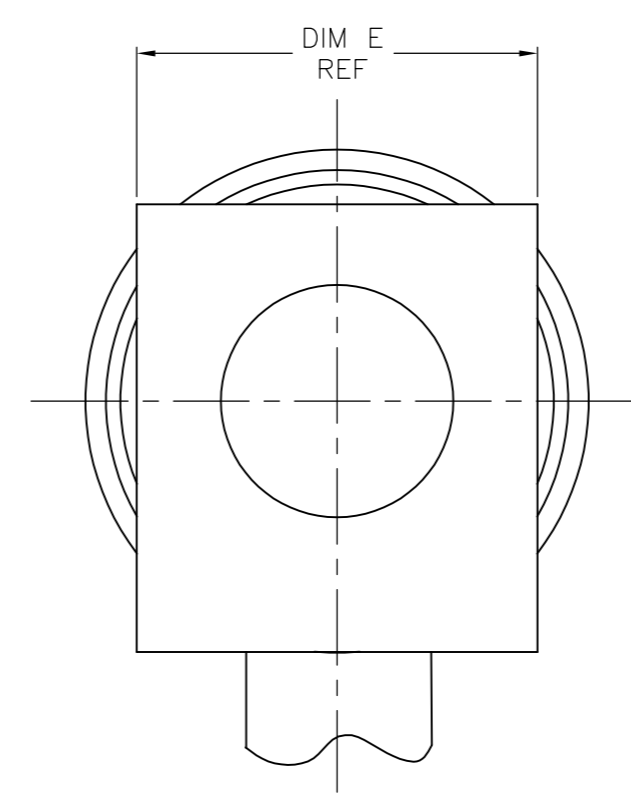
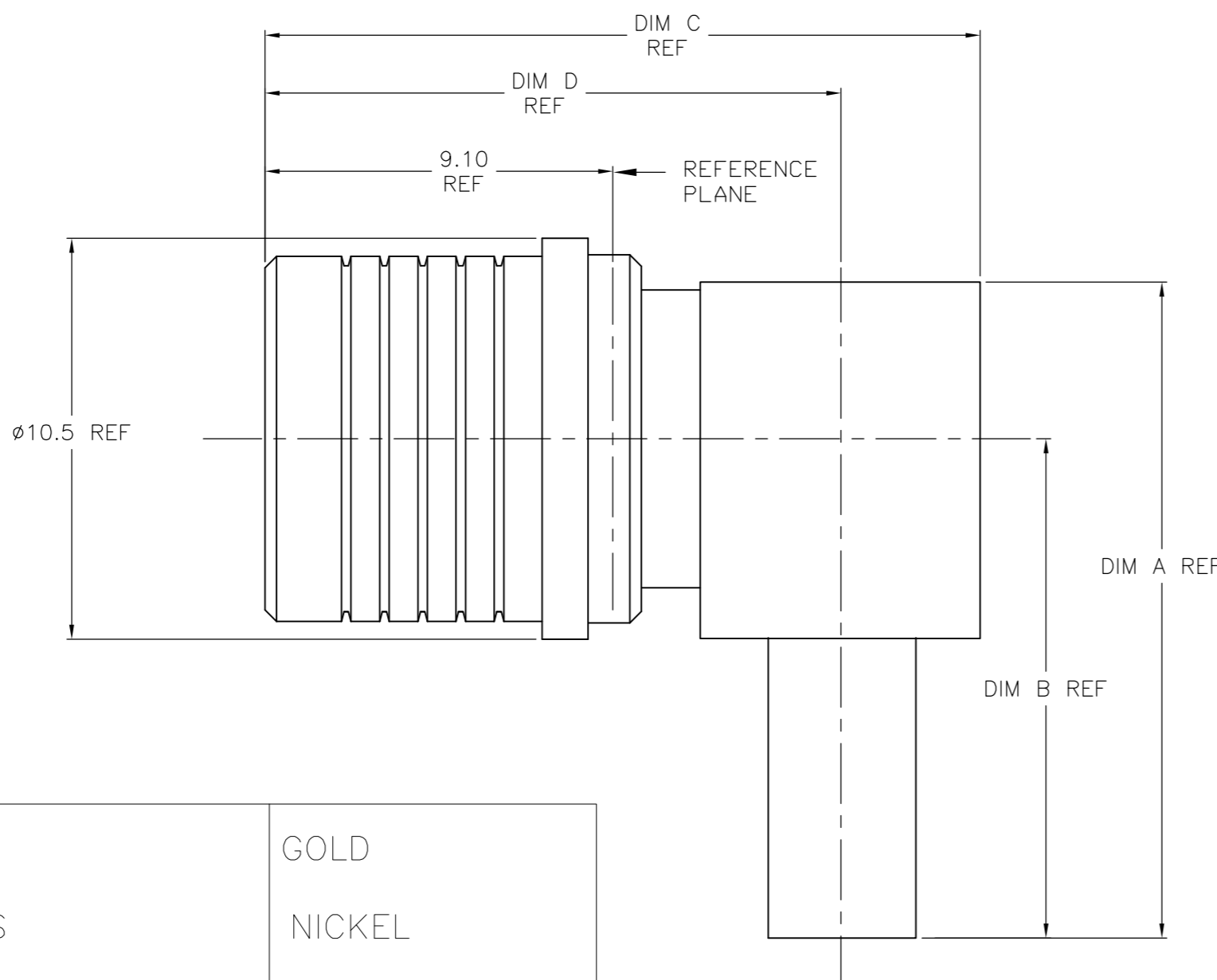


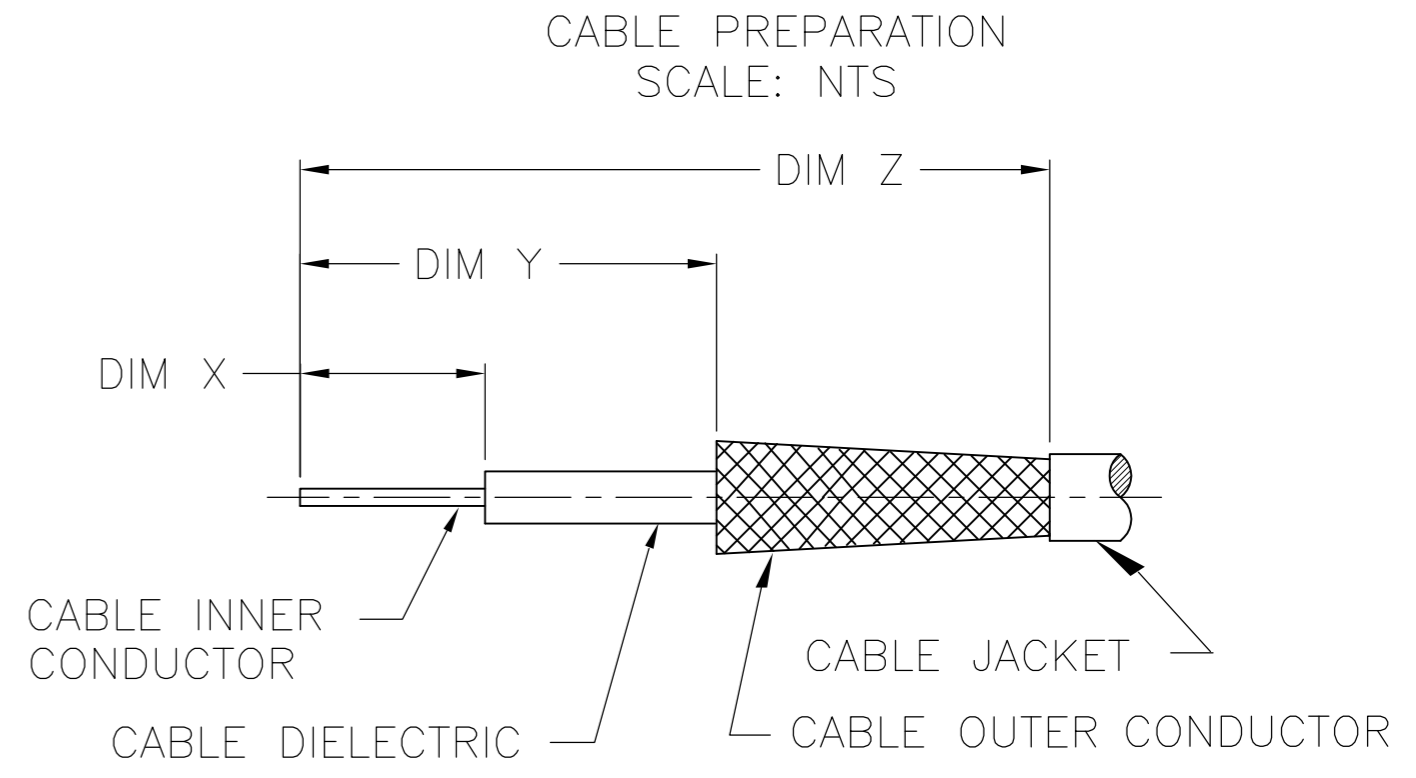
THIS DRAWING IS UNPUBLISHED. RELEASED FOR PUBLICATION  
 © COPYRIGHT BY TYCO ELECTRONICS CORPORATION. ALL RIGHTS RESERVED.

LOC	DIST	REVISIONS					
AJ	16	P	LTR	DESCRIPTION	DATE	DWN	APVD
		C2		REVISED PER ECO-08-023805	11/26/2008	DW	JO



- 1 SINGLE PACKED
- 2 BULK PACKED IN QUANTITIES OF 100
- 3 CRIMP FERRULE USING CRIMP DIE  
HEX SIZE SPECIFIED IN TABLE
- 4. IS SHEET 408-8638
- 5 INSERTION LOSS VALUE FROM  
PRODUCT SPEC DOES NOT APPLY

CENTER CONTACT	BRASS	GOLD
HOUSING	BRASS	NICKEL
RELEASE RING	PHOSPHOR BRONZE	WHITE BRONZE
FERRULE	COPPER OR BRASS	NICKEL
OUTER CONTACT	BERYLLIUM COPPER	NICKEL
DIELECTRIC	PTFE	N/A
COMPONENT	MATERIAL	FINISH



5	MA318	1	22.7	17.7	22.8	17.2	11.1	3.8	7.6	19.8	9.75	2016047-2	1404236-1	1408369-3	1-1408336-0
	RG58/U, 141, 303 & SF142	2	19.8	15.4	18.7	15.1	8.71	2.8	6.2	11.2	5.41	1-1403081-8	9-446556-2	1408369-2	1408336-8
	RG58/U, 141, 303 & SF142	1	19.8	15.4	18.7	15.1	8.71	2.8	6.2	11.2	5.41	1-1403081-8	9-446556-2	1408369-2	1408336-7
	RG55/U, 142, 223 & 400	2	22.3	17.9	18.7	15.1	8.71	2.8	6.2	11.2	5.41	1-1403081-8	2-1403102-5	1408369-2	1408336-6
	RG55/U, 142, 223 & 400	1	22.3	17.9	18.7	15.1	8.71	2.8	6.2	11.2	5.41	1-1403081-8	2-1403102-5	1408369-2	1408336-5
	RD316/U	2	17.5	13.1	18.7	15.1	8.71	2.8	6.2	11.2	3.83	1-1403081-8	2-413889-7	1408369-1	1408336-4
	RD316/U	1	17.5	13.1	18.7	15.1	8.71	2.8	6.2	11.2	3.83	1-1403081-8	2-413889-7	1408369-1	1408336-3
	RG316/U, 174 & 188	2	17.5	13.1	18.7	15.1	8.71	2.8	6.2	11.2	3.25	1-1403081-8	2-413889-4	1408369-1	1408336-2
	RG316/U, 174 & 188	1	17.5	13.1	18.7	15.1	8.71	2.8	6.2	11.2	3.25	1-1403081-8	2-413889-4	1408369-1	1408336-1
	CABLE	PKG	DIM A	DIM B	DIM C	DIM D	DIM E	DIM X	DIM Y	DIM Z	HEX 3	CAP	FERRULE	HSG ASSY	PART NO

THIS DRAWING IS A CONTROLLED DOCUMENT.

DWN	D Cam	06NOV2001
CHK	RMF	12/18/02
APVD	D Cam	12/18/02
PRODUCT SPEC	108-2087	
APPLICATION SPEC		
WEIGHT	-	
CUSTOMER DRAWING		

**Tyco Electronics** Tyco Electronics Corporation  
Harrisburg, PA 17105-3608

NAME: QMA RIGHT ANGLE CABLE PLUG CRIMP ATTACHMENT

SIZE	CAGE CODE	DRAWING NO	RESTRICTED TO
A2	00779	C=1408336	-
SCALE	10:1	SHEET	1 OF 1
REV	C2		